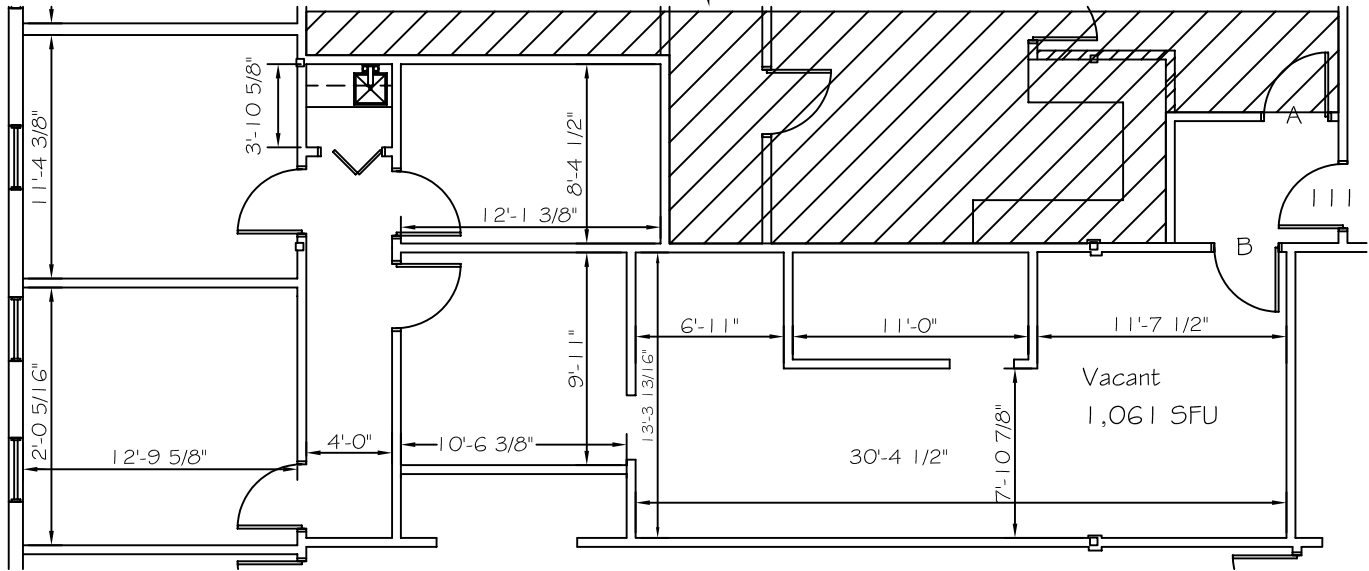


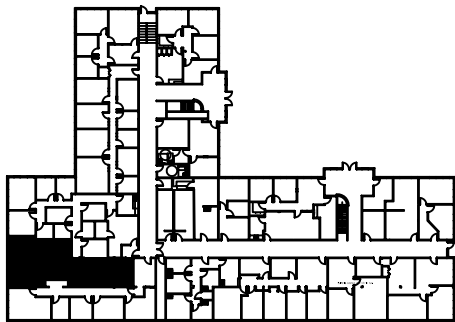


Hatched area
not included
in suite



Northwind Suite #111B

SCALE: NONE



BUILDING KEY

SCALE: NO SCALE

Northwind Office Park

SUITE #111B

2875 Northwind Drive
East Lansing, MI 48823

USEABLE AREA: 1,061 SF*

RENTABLE AREA: 1,167 SF*

* Square feet measurements subject to change upon site measure